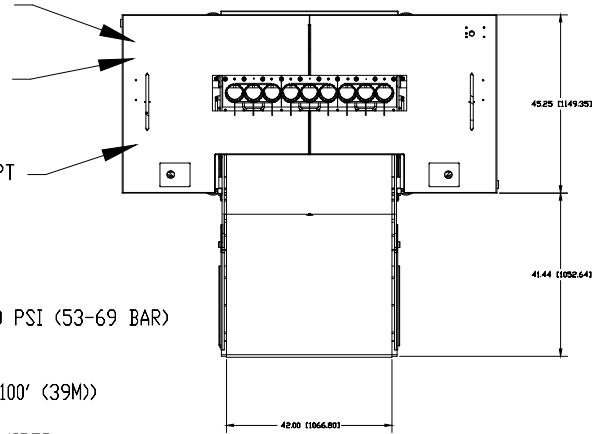
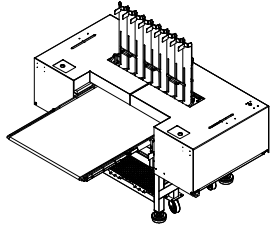


# WIDE BELT SLICER

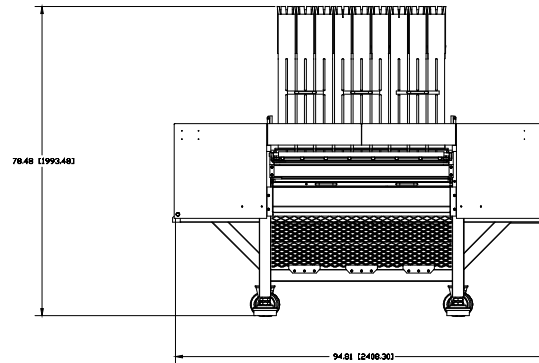
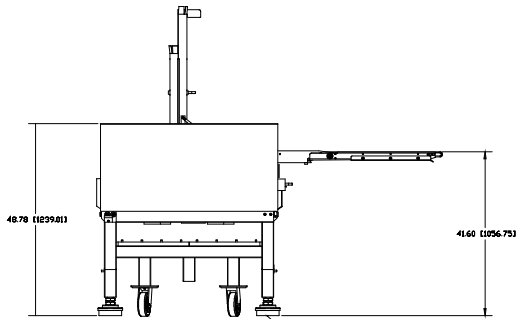
PRESSURE, 3/4 QUICK COUPLER  
ROSS NO. 12620017 PARKER SH6-62

TANK, 3/4 QUICK COUPLER (NIPPLE)  
ROSS NO. 12620013 PARKER SH6-63

NO-PRESSURE RETURN, 1/2" FNPT



17.5-20 GPM (66-76 LPM) REQUIRED AT 775-1000 PSI (53-69 BAR)  
1" (25mm) SUPPLY LINE (UP TO 100' (39M))  
1" (25mm) RETURN LINE (UP TO 100' (39M))  
1/2" (13mm) NO PRESSURE RETURN LINE (UP TO 100' (39M))  
  
115 VOLT AC/1 PH (22 WATTS) - 35' (14M) PROVIDED  
220 VOLT AC/1 PH (22 WATTS) - 35' (14M) PROVIDED (OPTIONAL)



LEVELING BOLT ASSEMBLY  
3-INCH HEIGHT ADJUSTMENT

NEXT ASSY:	X	S/N:	X
<b>ROSS INDUSTRIES INC.</b> MIDLAND, VIRGINIA 22728 USA			
TITLE		990AW	
TOLERANCES - UNLESS SHOWN	SCALE: FULL	DATE: 0/0/09	
.XXX ± .005	ANGLE ± 0°30'	FILED: X	MATL: X
.XX ± .020	FINISH 125	DES: DRN	CHK: APP
LRC		990AW_3VIEW	R E V