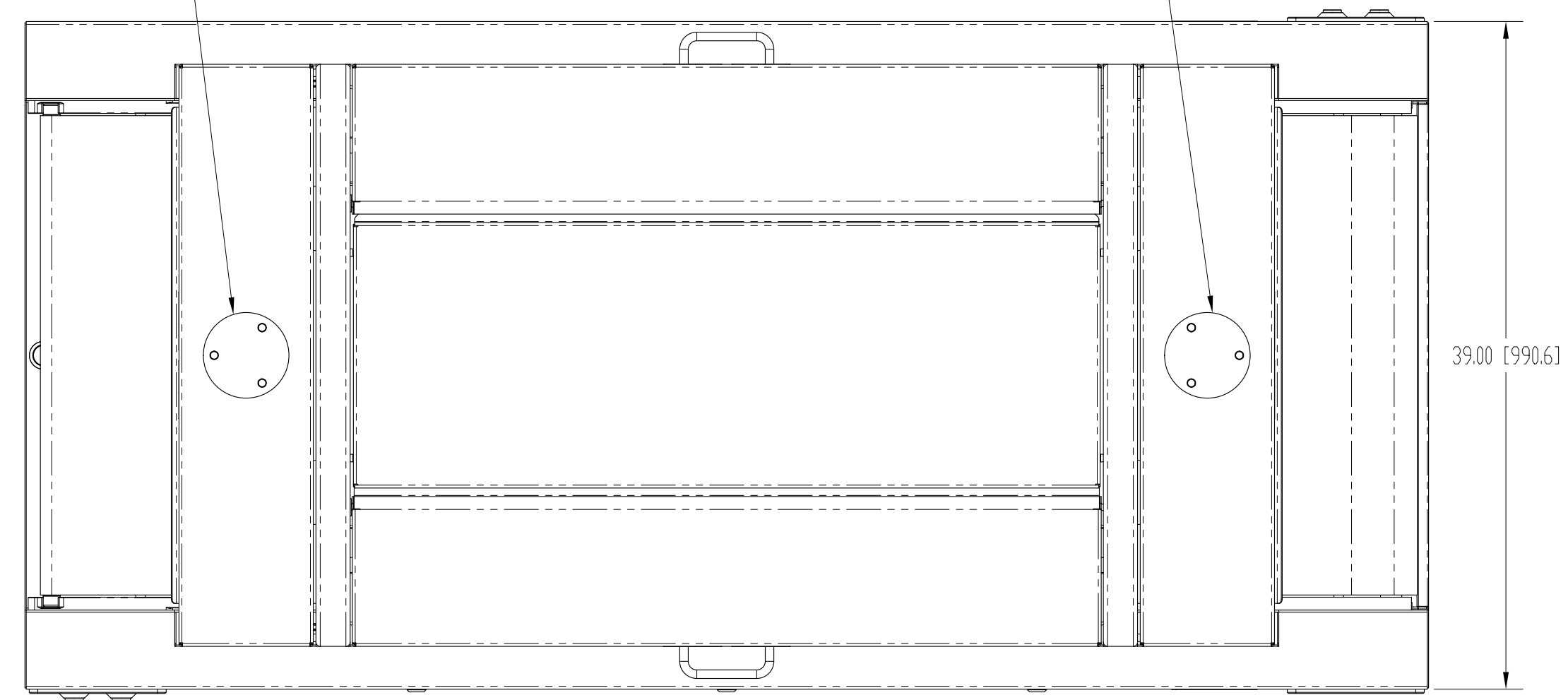
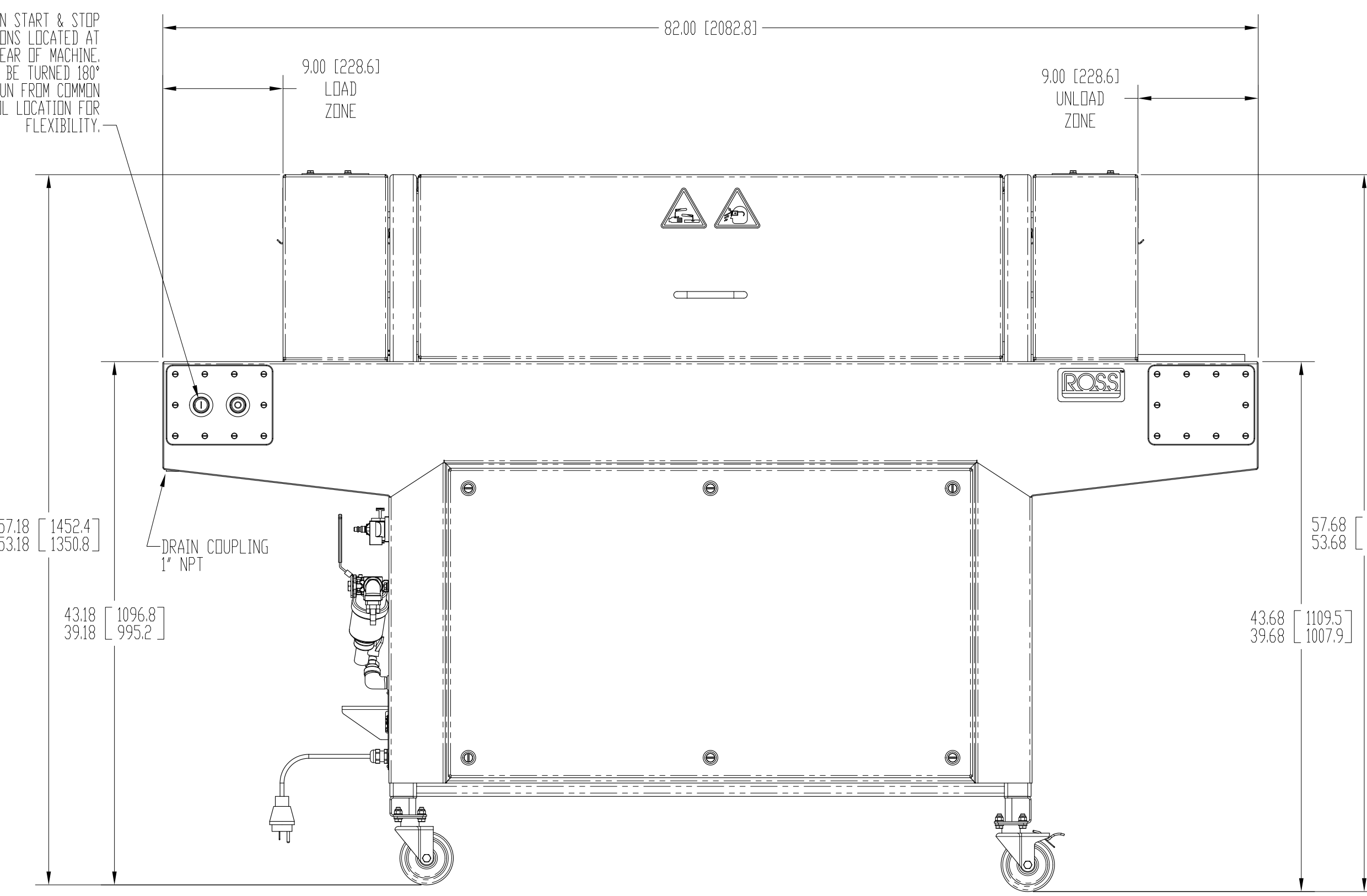


REMOVABLE VENT CAP FOR USE WITH INDIRECT VENTILATION SYSTEM



39.00 [990.6]

COMMON START & STOP PUSHBUTTONS LOCATED AT FRONT AND REAR OF MACHINE. MACHINE CAN BE TURNED 180° AND RUN FROM COMMON CONTROL LOCATION FOR FLEXIBILITY.



9.00 [228.6] LOAD ZONE

9.00 [228.6] UNLOAD ZONE

82.00 [2082.8]

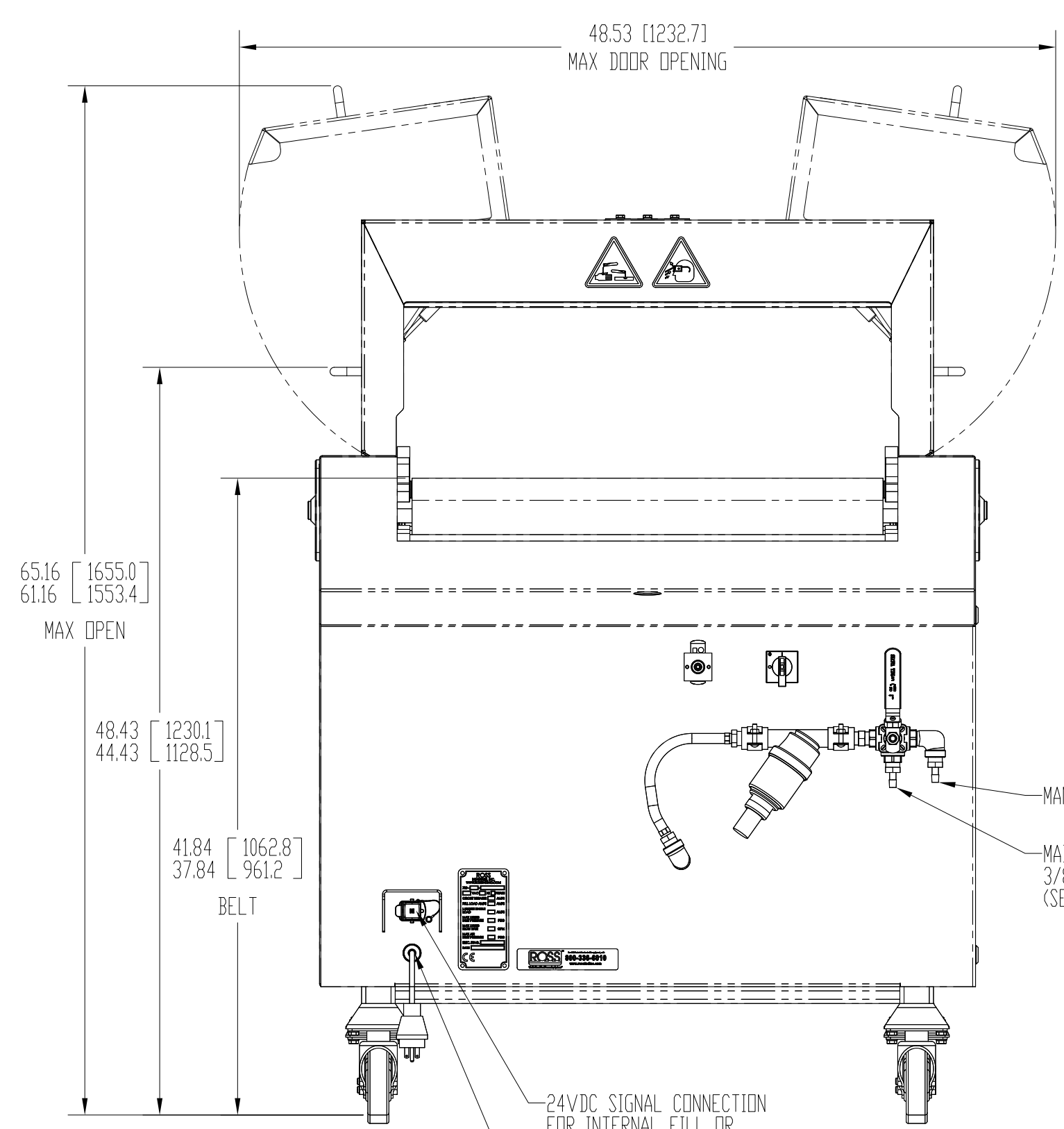
57.18 [1452.4]
53.18 [1350.8]

57.68 [1465.1]
53.68 [1363.5]

DRAIN COUPLING 1" NPT

43.18 [1096.8]
39.18 [995.2]

43.68 [1109.5]
39.68 [1007.9]



48.53 [1232.7] MAX DOOR OPENING

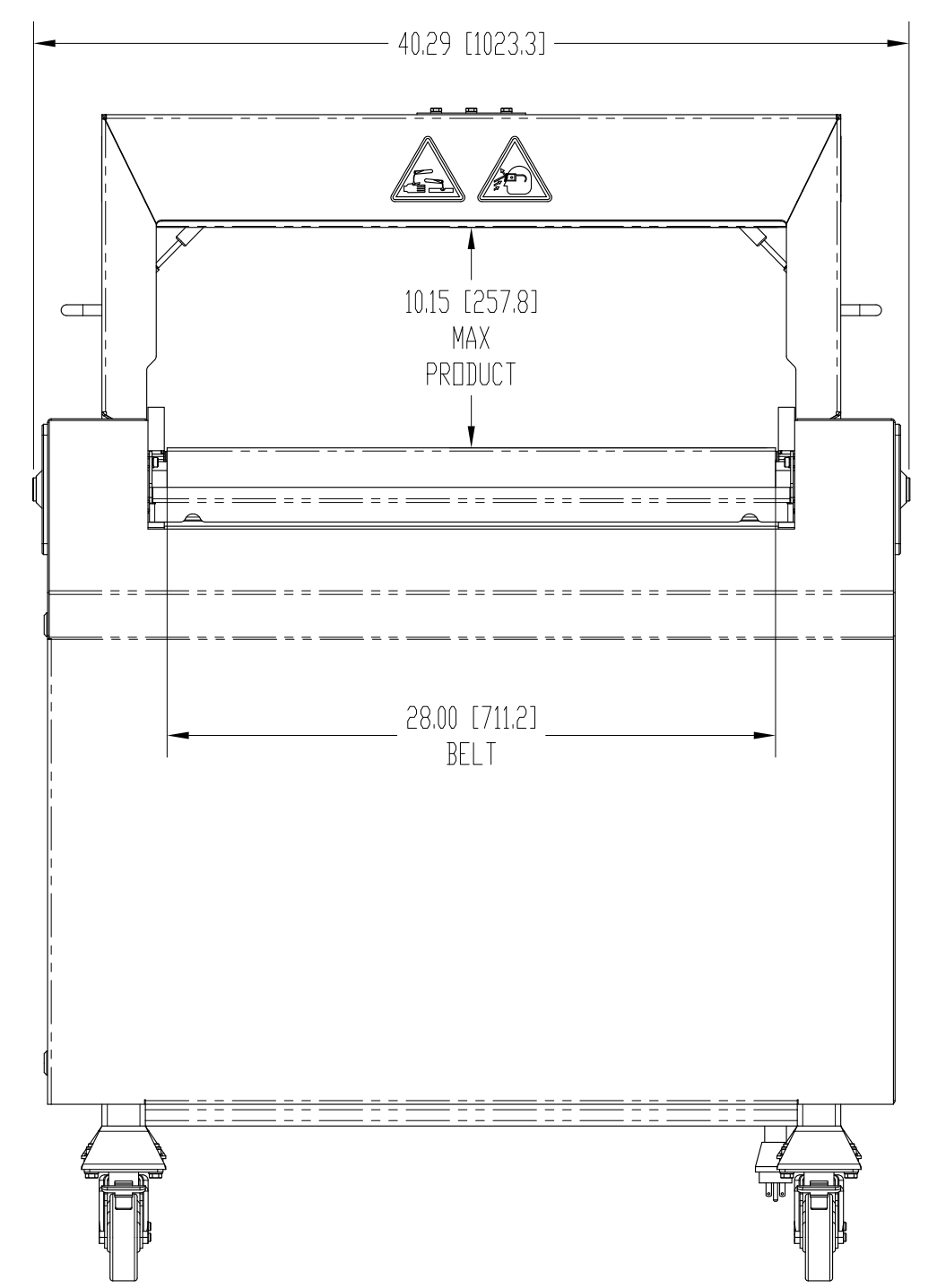
65.16 [1655.0]
61.16 [1553.4] MAX OPEN

48.43 [1230.1]
44.43 [1128.5]

41.84 [1062.8]
37.84 [961.2] BELT

MANUAL DRAIN FOR TEST SAMPLES
MAIN LIQUID INLET FITTING 3/8" HOSE BARB (SEE MANUAL FOR MORE INFO)

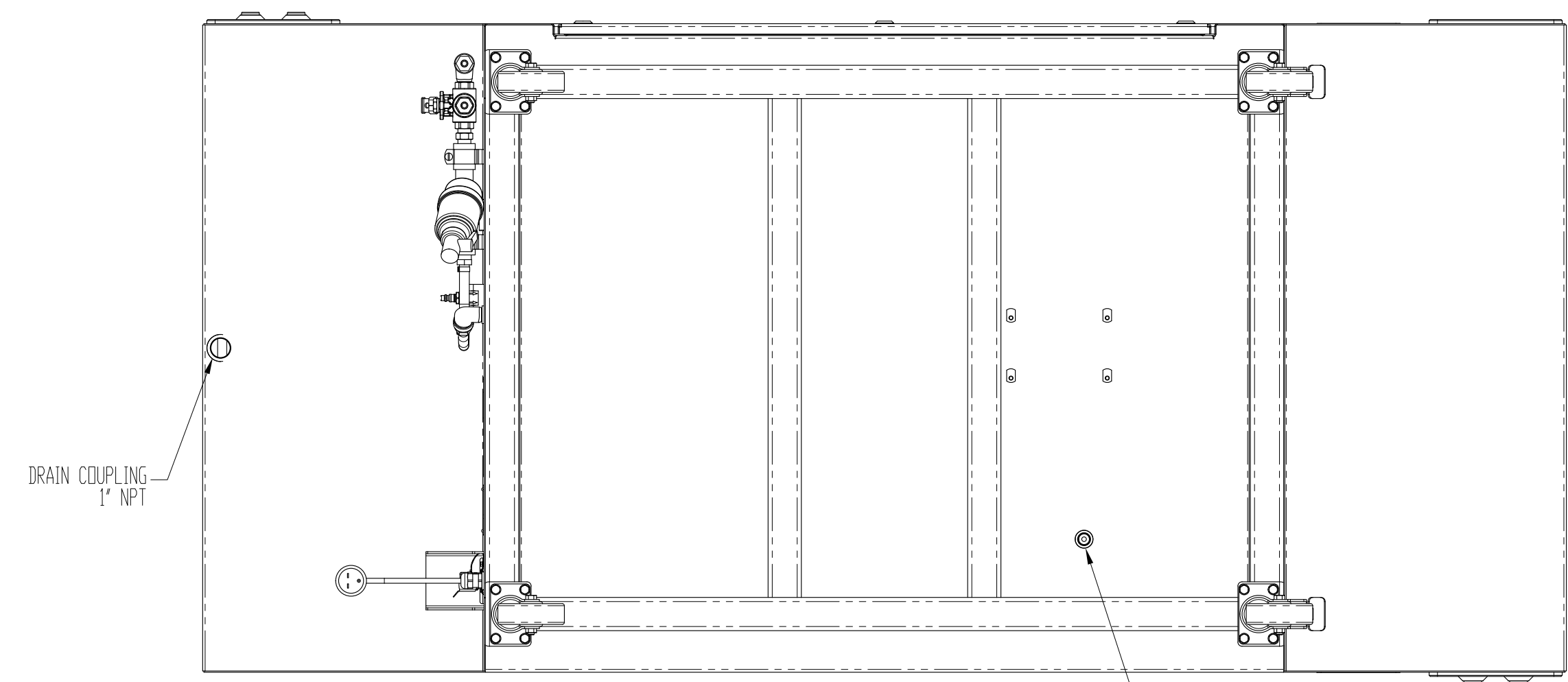
24VDC SIGNAL CONNECTION FOR INTERNAL FILL OR EXTERNAL PUMPING (SEE MANUAL FOR MORE INFO)
200-250VAC 50/60HZ POWER (SEE MANUAL FOR MORE INFO)



40.29 [1023.3]

10.15 [257.8] MAX PRODUCT

28.00 [711.2] BELT



DRAIN COUPLING 1" NPT

RTU TANK OVERFLOW COUPLING 1/2 NPT

3. FINISH : -
2. MATERIAL : -
1. REMOVE ALL SHARP EDGES
NOTES:

THE INFORMATION CONTAINED IN THIS DRAWING IS THE SOLE PROPERTY OF ROSS INDUSTRIES INCORPORATED. ANY REPRODUCTION IN PART OR AS A WHOLE WITHOUT THE WRITTEN PERMISSION OF ROSS INDUSTRIES INC. IS PROHIBITED.				
ROSS INDUSTRIES INC. VIRGINIA, USA				
TITLE: 730-28 INTERVENTION APPLICATOR				
DATE: 06/30/11	SCALE: 1:8	SIZE: D	PART NO: 730-28-1030+	REV: -
DIMENSIONS & TOLERANCES PER ANSI Y14.5-1982	DES: JS	DRAW: JS	CHK: LRC	SHEET 1 of 1