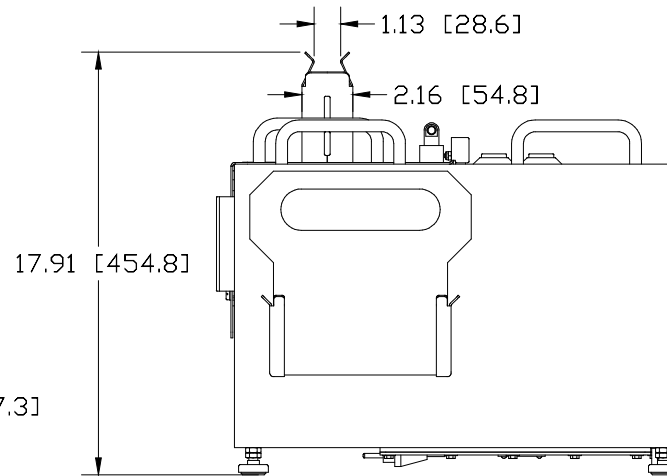
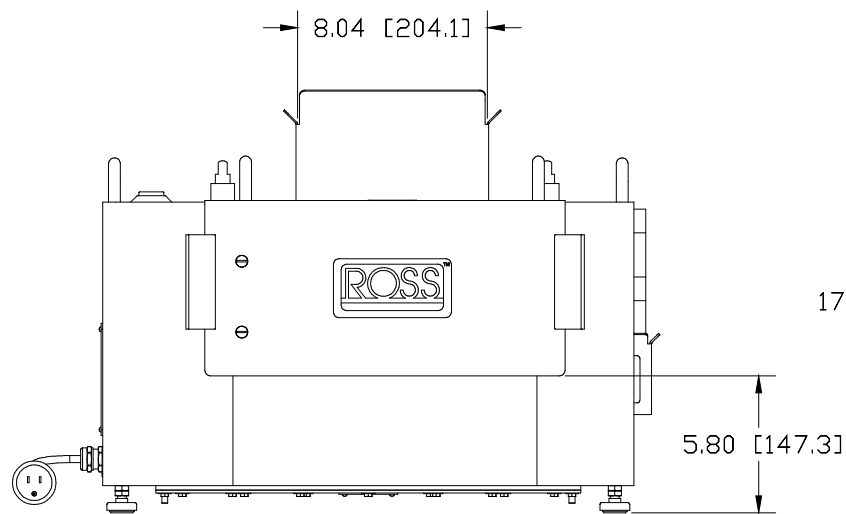


ROSS C770T

TABLETOP TENDERCUBE

MACHINE VOLTAGE	AMPS
115VAC / 60hz	9 AMPS



DB FILE:C770T_3VIEW.DWG

ROSS INDUSTRIES INC.
MIDLAND, VIRGINIA 22728 USA

C770T - 3 VIEW PLAN

TOLERANCES - UNLESS SHOWN		MATERIAL -		
.XXX ± .005	DIMENSIONS & TOLERANCES PER ANSI Y14.5-1982	FINISH -		
.XX ± .020		C770T		
ANGLE ± 0°30'		REV.		
FINISH 125 ✓				
DATE: 8/20/09	SCALE: NTS	C770T-PLAN		
DES: DRN	CHK: APP			
JS JS	LRC			