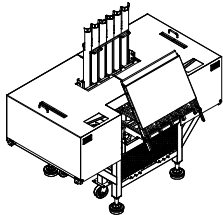


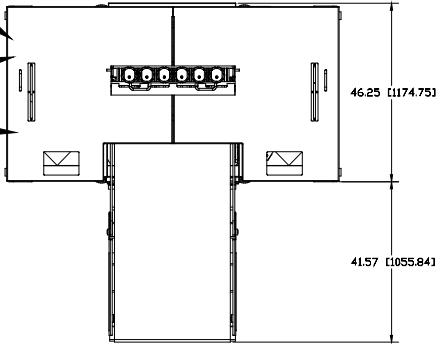
STD BELT SLICER



PRESSURE, 3/4" QUICK COUPLER
ROSS NO. 12620017 PARKER SH6-62

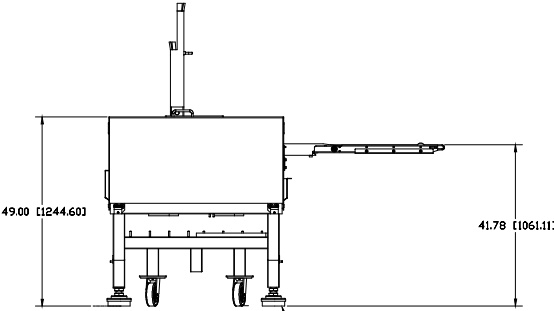
TANK, 3/4" QUICK COUPLER (NIPPLE)
ROSS NO. 12620013 PARKER SH6-63

NO-PRESSURE RETURN, 1/2" FNPT

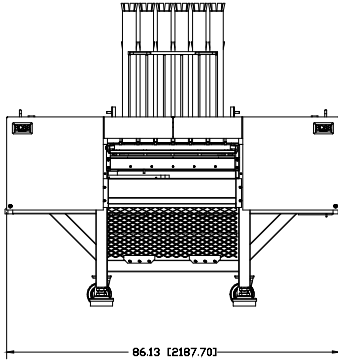


17.5-20 GPM (66-76 LPM) REQUIRED AT 775-1000 PSI (53-69 BAR)
1" (25mm) SUPPLY LINE (UP TO 100' (39M))
1" (25mm) RETURN LINE (UP TO 100' (39M))
1/2" (13mm) NO PRESSURE RETURN LINE (UP TO 100' (39M))

115 VOLT AC/1 PH (22 WATTS) - 35' (14M) PROVIDED
220 VOLT AC/1 PH (22 WATTS) - 35' (14M) PROVIDED (OPTIONAL)



LEVELING BOLT ASSEMBLY
3-INCH HEIGHT ADJUSTMENT



NEXT ASSY:	X	S/N:	X
ROSS INDUSTRIES INC. MIDLAND, VIRGINIA 22728 USA			
TITLE		990A SLICER	
TOLERANCES - UNLESS SHOWN	SCALE: FULL	DATE:	0/0/09
.XXX ± .005	ANGLE ± 0°30'	FILED: X	MATL: X
XX ± .020	FINISH 125		
DCS - BRN	CHK - APB		
LCR		990A_3VIEW	REV