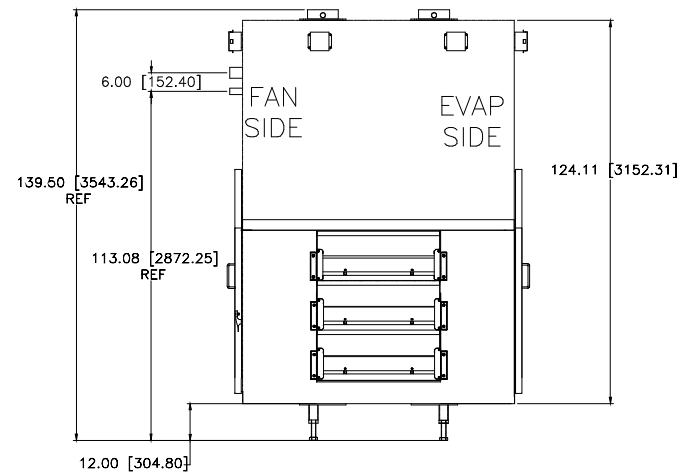
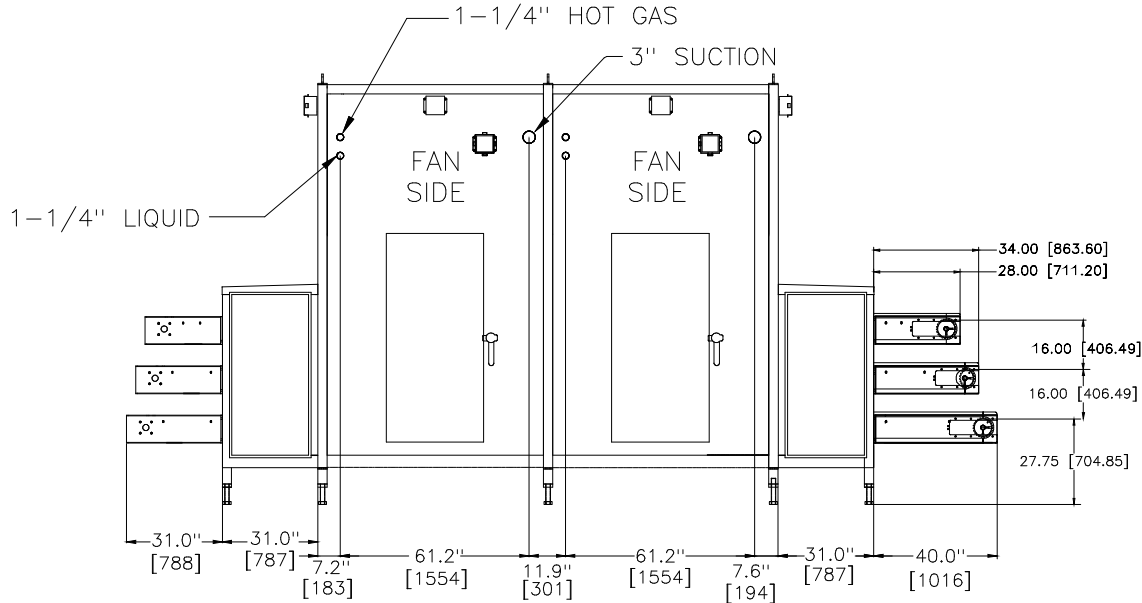
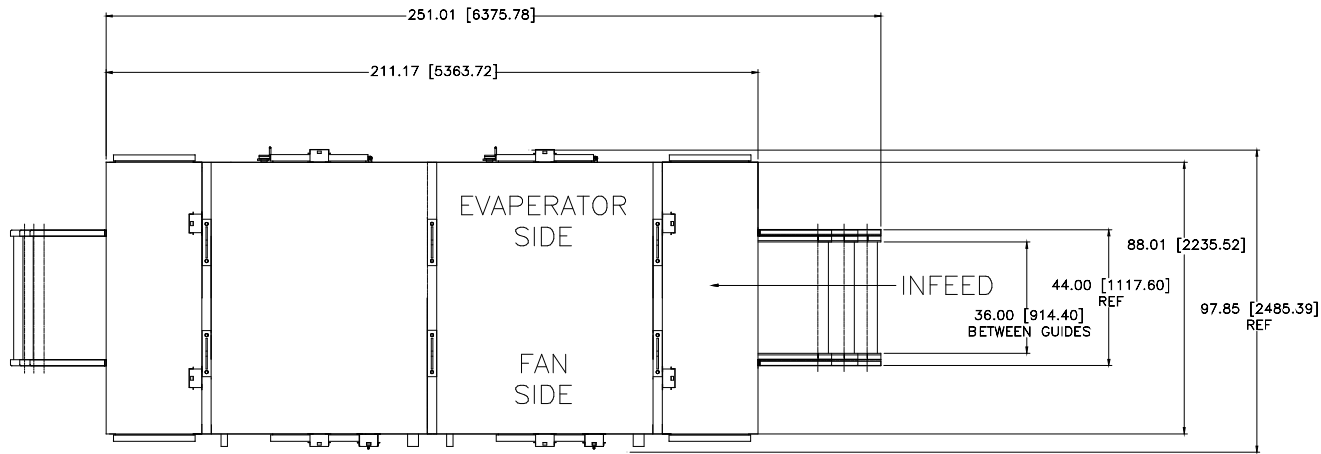
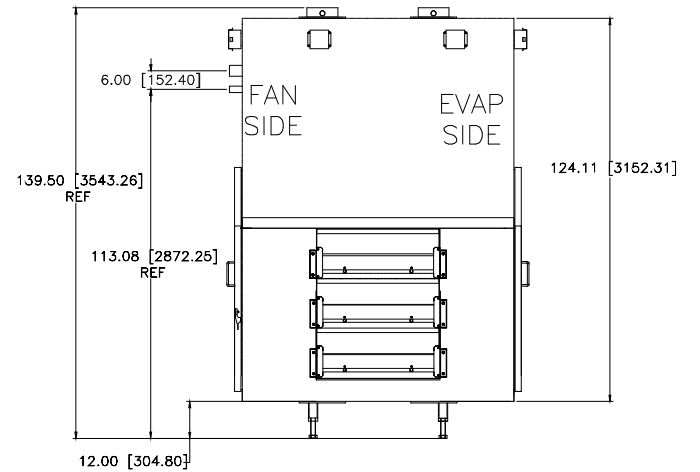
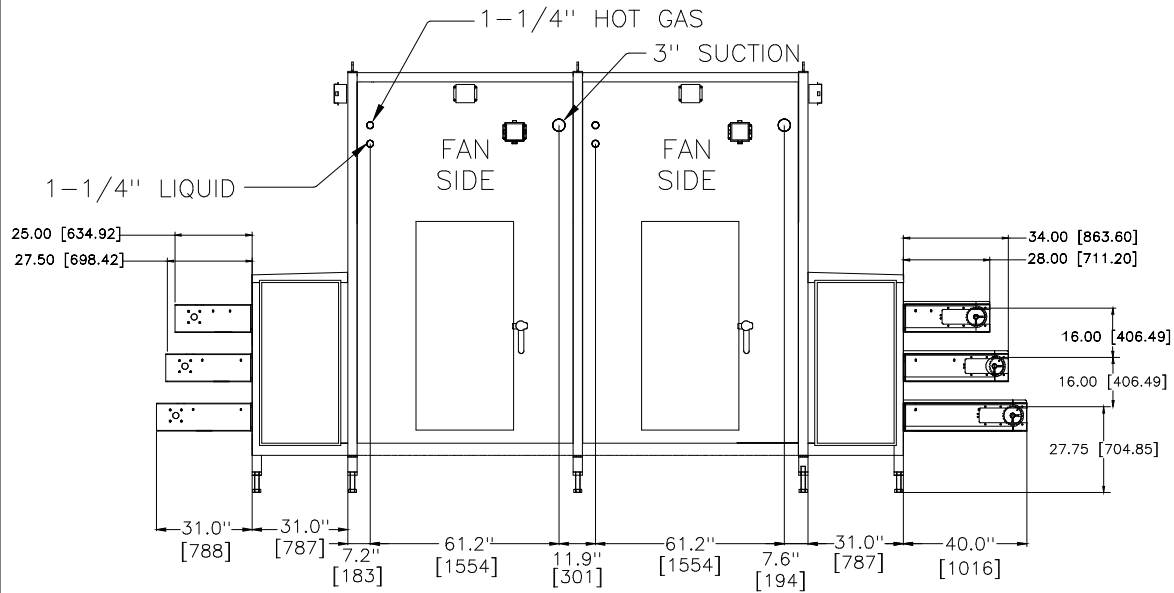
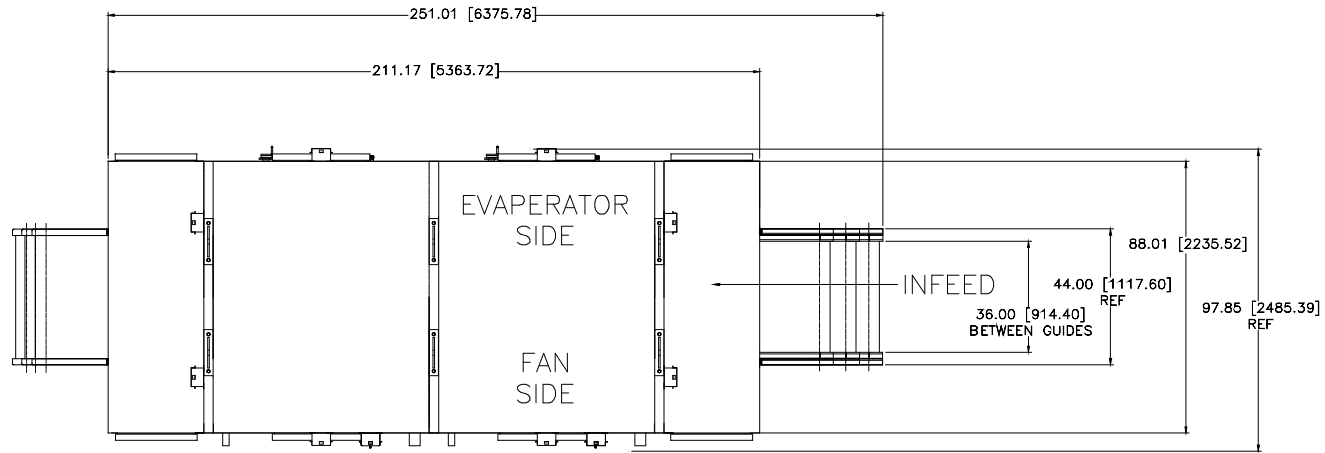


NEXT ASSY:		DB FILE:2MODCAS	
ROSS INDUSTRIES INC. MIDLAND, VIRGINIA 22728 USA			
TITLE LAYOUT 2 MOD CAS			
TOLERANCES - UNLESS SHOWN		MATERIAL: AS NOTED	
.XXX ± .005	DIMENSIONS & TOLERANCES PER ANSI Y14.5-1982	FINISH: AS NOTED	
.XX ± .020		BLC REV.	
ANGLE ± 0°30'			
FINISH 125 ✓			
DATE: 2/21/2000	SCALE: 1 : 60		
DES DRN	CHK APP	2MODCAS_CE	
JET JET	.		



NEXT ASSY:		DB FILE:2MODIND-CAS_CE	
ROSS INDUSTRIES INC. MIDLAND, VIRGINIA 22728 USA			
TITLE LAYOUT 2 MOD IND/CAS - CE			
TOLERANCES - UNLESS SHOWN		MATERIAL: AS NOTED	
.XXX ± .005		FINISH: AS NOTED	
.XX ± .020		DIMENSIONS & TOLERANCES PER ANSI Y14.5-1982	
ANGLE ± 0°30'			
FINISH 125 ✓		BLC REV.	
DATE: 6/5/2008			
DES	DRN	SCALE: 1 : 60	APP
. LC		2MODIND/CAS_CE	



NEXT ASSY:		DB FILE:2MODIND-CAS_CE	
ROSS INDUSTRIES INC.			
MIDLAND, VIRGINIA 22728 USA			
TITLE LAYOUT 2 MOD IND - CE			
TOLERANCES - UNLESS SHOWN		MATERIAL: AS NOTED	
.XXX ± .005		FINISH: AS NOTED	
.XX ± .020		DIMENSIONS & TOLERANCES PER ANSI Y14.5-1982	
ANGLE ± 0°30'		BLC	
FINISH 125 ✓			
DATE: 6/5/2008	SCALE: 1 : 60	2MODIND_CE	
DES: L.C.	CHK: .		